

OJSC «Minsk Bearing Plant»



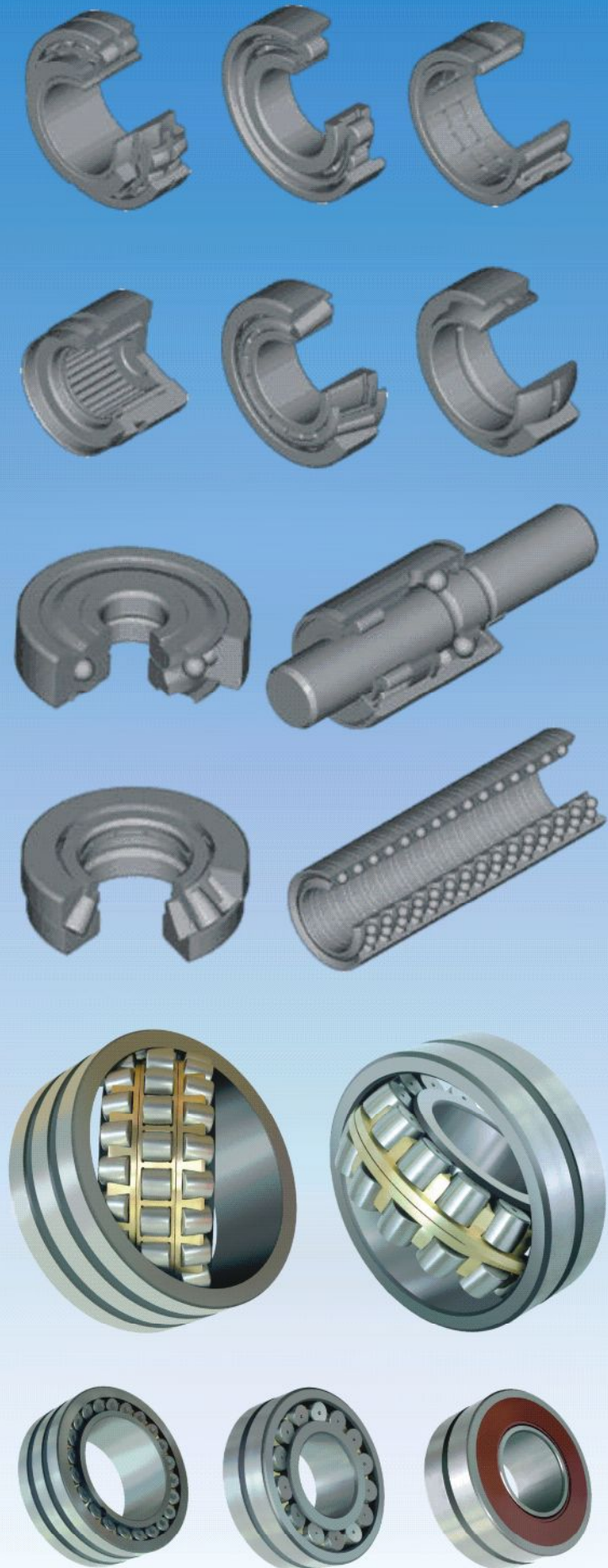
Activities: **machine building industry**
Year of foundation: **1948**
Number of employees: **4200**

Production:

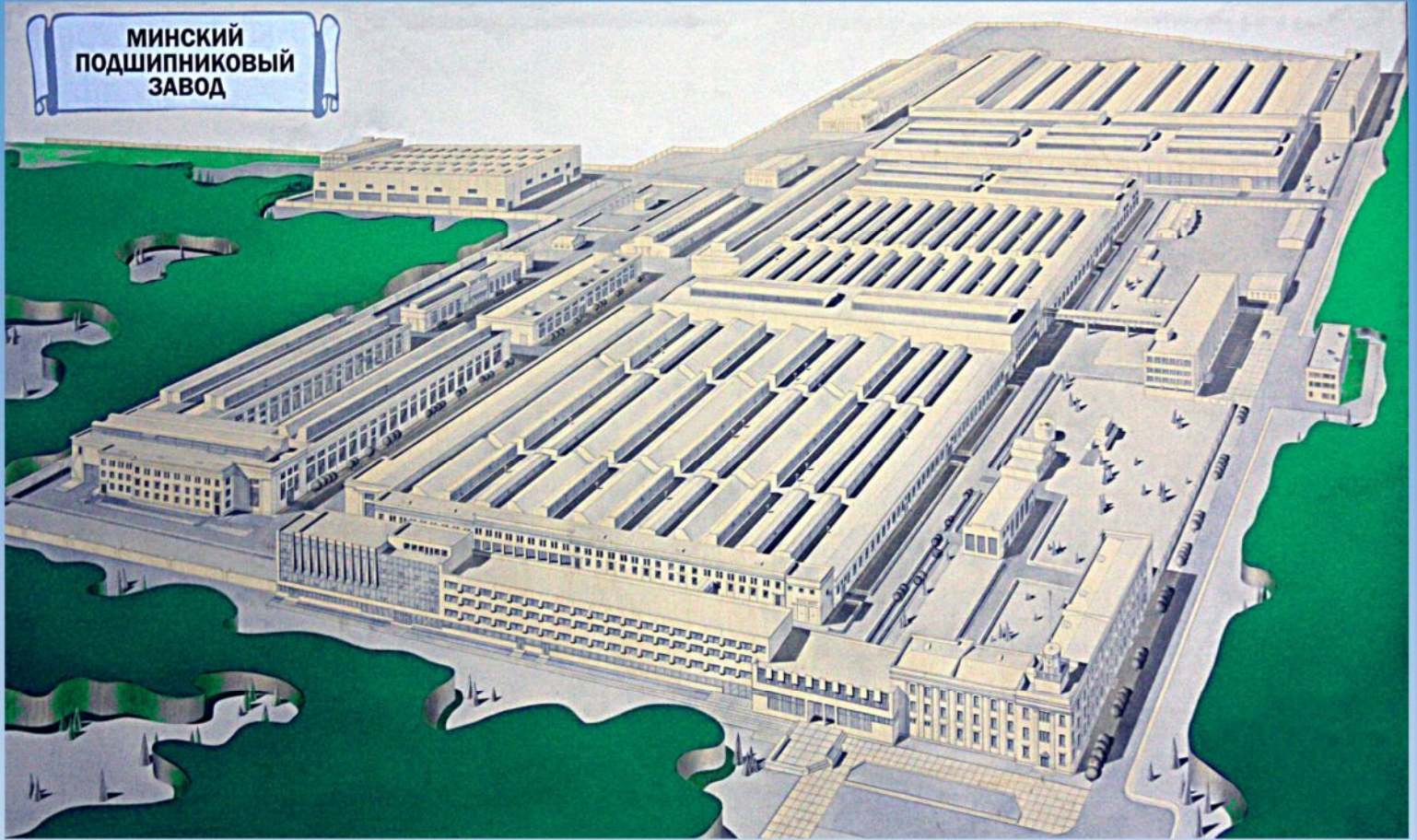
The basic activity field of OJSC «Minsk Bearing Plant» is manufacture of rolling bearings of various constructive groups within a wide size range. Produced bearings are used practically in all industries: in the manufacture of metallurgical and mining equipment, in wood working and pulp-and-paper manufacture, autotractor and agricultural machinery industry, oil producing and fuel and energy complex, manufacture of electric motors and household appliances.

Contacts:

220026, Republic of Belarus,
Minsk, 2 Zhilunovich str.
Tel: (+375 17) 246 78 09
Fax: (+375 17) 295 20 72
E-mail: mpz@mpz.com.by
www.mpz.com.by



**МИНСКИЙ
ПОДШИПНИКОВЫЙ
ЗАВОД**



Technical development of spherical roller bearings production on 2010-2020 years

At MPZ we have everything to ensure production of bearings for customized applications: modern metrology base equipped with modern measuring and test equipment, technological lath and instruments from German and Japanese manufacturers. MPZ has special facilities for manufacturing, modernization and maintenance of metall-cutting equipment, special process equipment, instruments, abrasive and measuring tools. MPZ has led the way in the research, development and introduction of innovation technologies for improving machine operation and customer productivity. In the conformity with current market requirements MPZ focuses not only at production expanding, but at the improving of technological process by implementing new methods and enhancing of personnel professional knowledge.

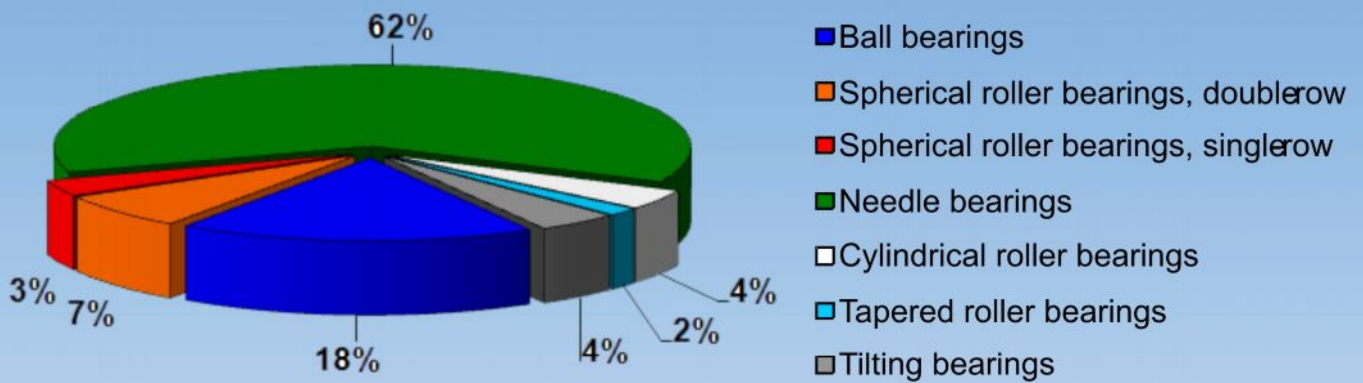


Quality Management System

MPZ in 1997 implemented the Quality Management System. That is continuously improved to increase its efficiency and productivity. Significant achievement in the field of Quality Management improvement was the Gosstandart of Belarus certification in conformity with the requirements of STB ISO 9001:2001.



Structure of Sales



Product Range

Main products of our enterprise are rolling bearings: angular contact ball bearings, cardan shaft bearings, needle roller bearings, spherical roller angular contact bearings with diameter from 10 up to 980 mm and in weight from 2g up to 880 kg.

